

**SAMTRAC**inc.



CE

[www.samtracinc.com](http://www.samtracinc.com)

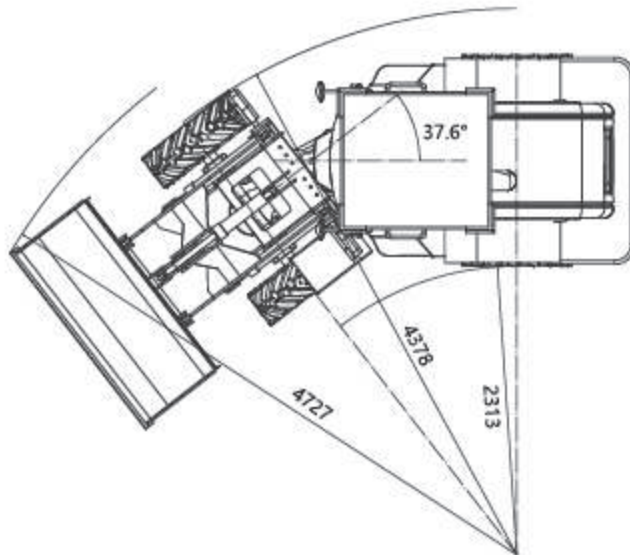
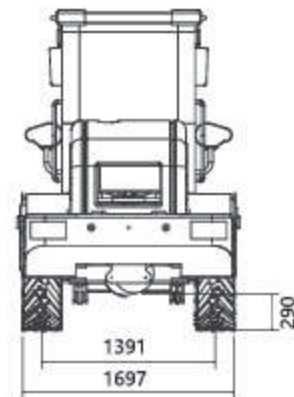
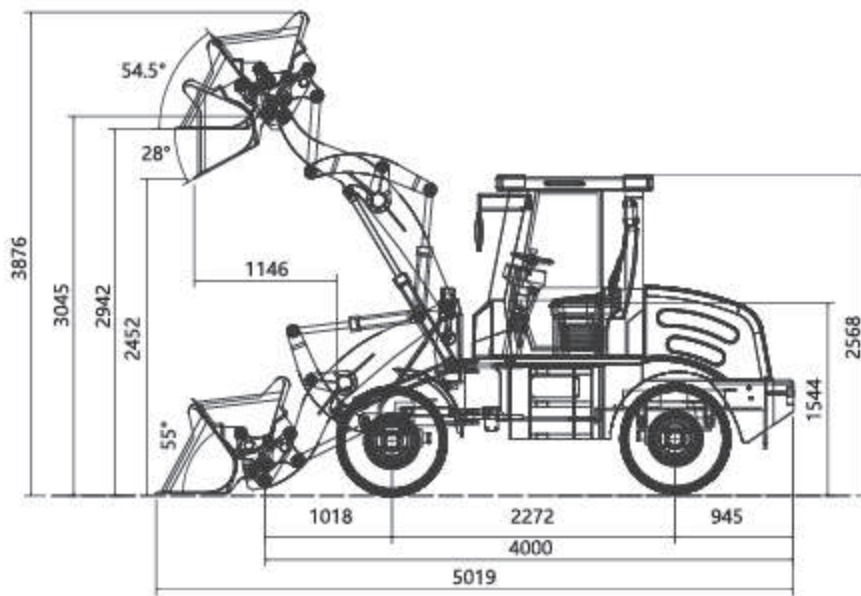
# WHEEL LOADER

## WL150



### Specifications

Engine Model:	<b>XINCHAI C490BPG E3</b>
Rated Power(kw):	<b>36.8</b>
Rated Speed(rpm):	<b>2650</b>
Rated load(kg):	<b>1500</b>
Rated Bucket Capacity(m3):	<b>0.5-0.9</b>
Overall Size LxWxH(mm):	<b>5100×1700×2580</b>
Wheel base (mm):	<b>2272</b>
Wheel thread(mm):	<b>1391</b>
Max.breakout force (KN):	<b>48</b>
Max.dump height(mm):	<b>2452</b>
Dump distance(mm):	<b>1146</b>
Total time(s):	<b>11</b>
Operating Weight(kg):	<b>3600</b>
Tyre:	<b>1200-16/12-16.5/20.5/70-16/23.5-16</b>



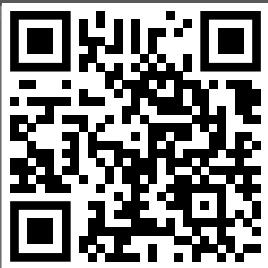
## DESCRIPTION

Like their green-and-yellow siblings, these loaders are right at home on the farm. Equipped with bale spear, forks, or buckets, these highly maneuverable machines handle a multitude of chores.



# **SAMTRAC**Inc.

---



Phone: 01222285782 - 01222100310  
Email : [wolf@samtracinc.com](mailto:wolf@samtracinc.com)  
75 Al Teroli Street, El-Salam City, Cairo, Egypt

[www.samtracinc.com](http://www.samtracinc.com)