

**SAMTRAC** Inc.



CE

[www.samtracinc.com](http://www.samtracinc.com)

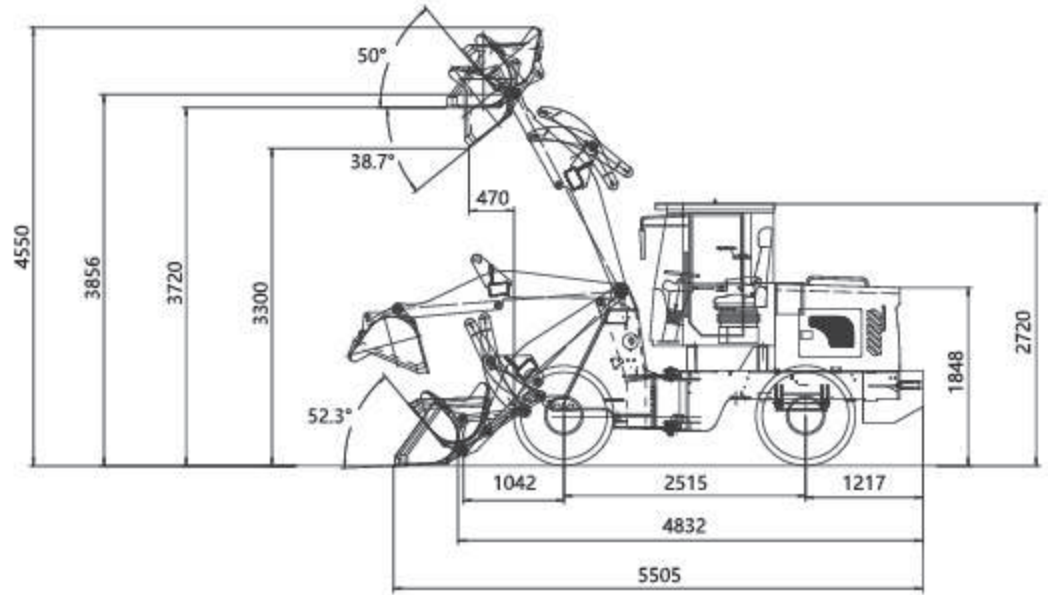
# WHEEL LOADER

## WL180



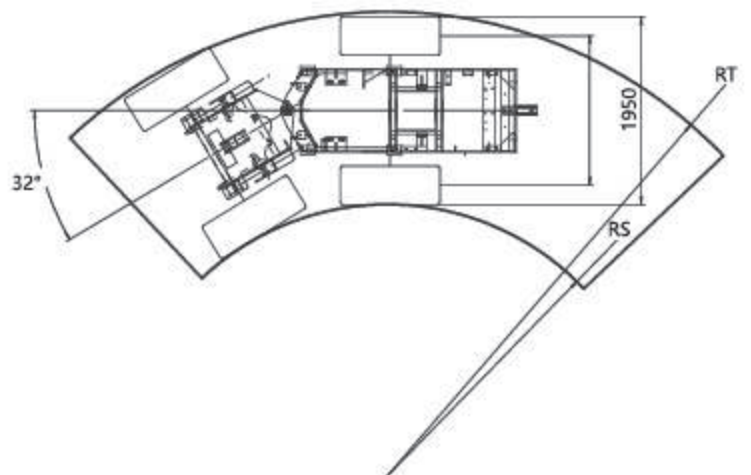
### Specifications

Engine Model:	CHANGCHAI 4G33
Rated Power(kw):	70
Rated Speed(rpm):	2400
Rated load(kg):	1800
Rated Bucket Capacity(m3):	0.8-1.1
Overall Size LxWxH(mm):	5505×1950×2720
Wheel base (mm):	2515
Wheel thread(mm):	2430
Max.breakout force (KN):	72
Max.dump height(mm):	3300
Dump distance(mm):	470
Total time(s):	11.3
Operating Weight(kg):	4800
Tyre:	23.5-16 16/70-20



## DESCRIPTION

Blades, buckets, and pushers make these loaders natural for removing whatever winter drops your way.



# **SAMTRAC**Inc.

---



Phone: 01222285782 - 01222100310  
Email : [wolf@samtracinc.com](mailto:wolf@samtracinc.com)  
75 Al Teroli Street, El-Salam City, Cairo, Egypt

**[www.samtracinc.com](http://www.samtracinc.com)**